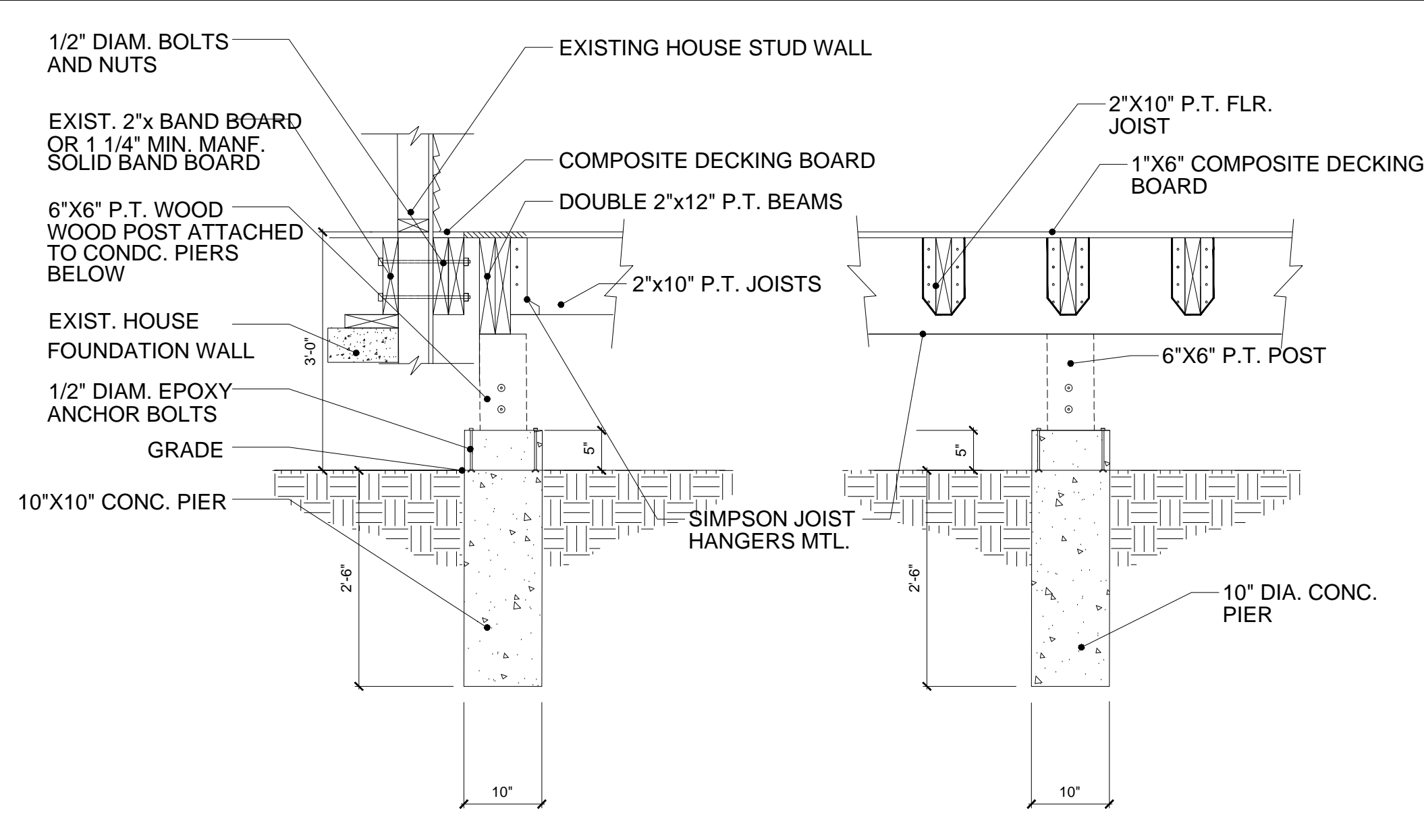
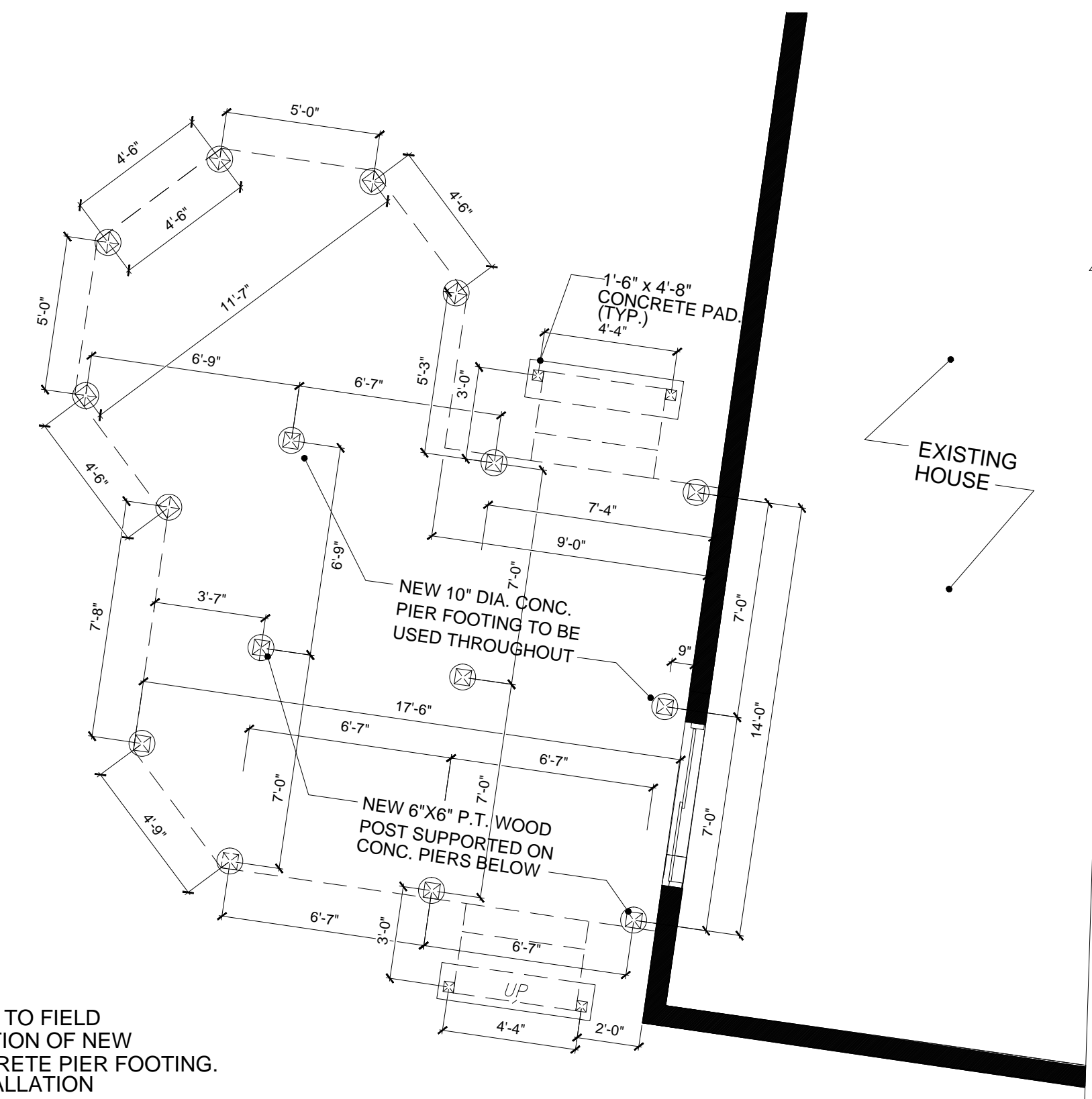
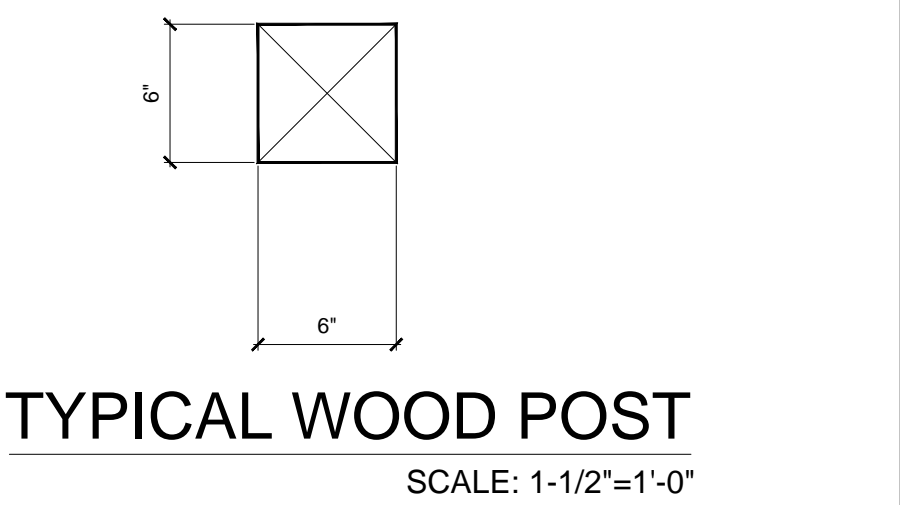
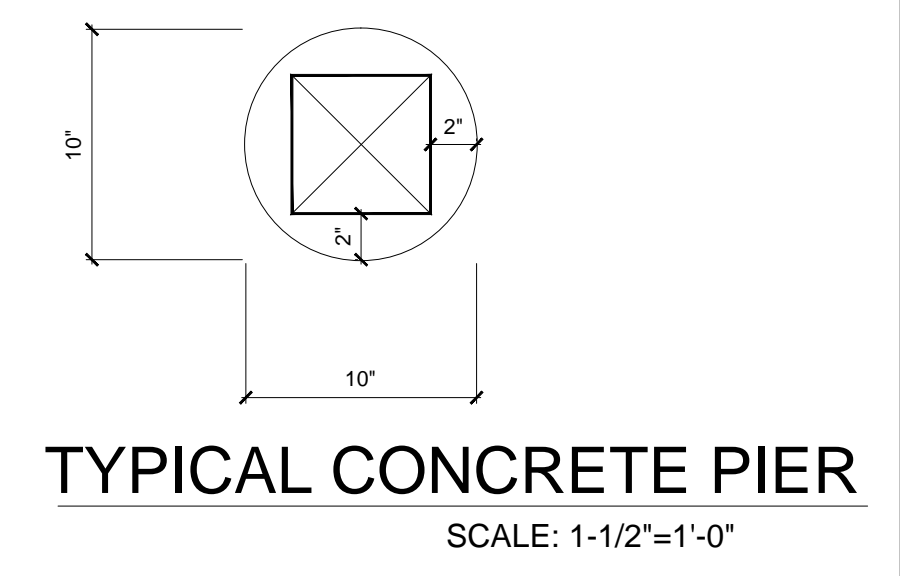


SECTION A-A
SCALE: 1/2"=1'-0"



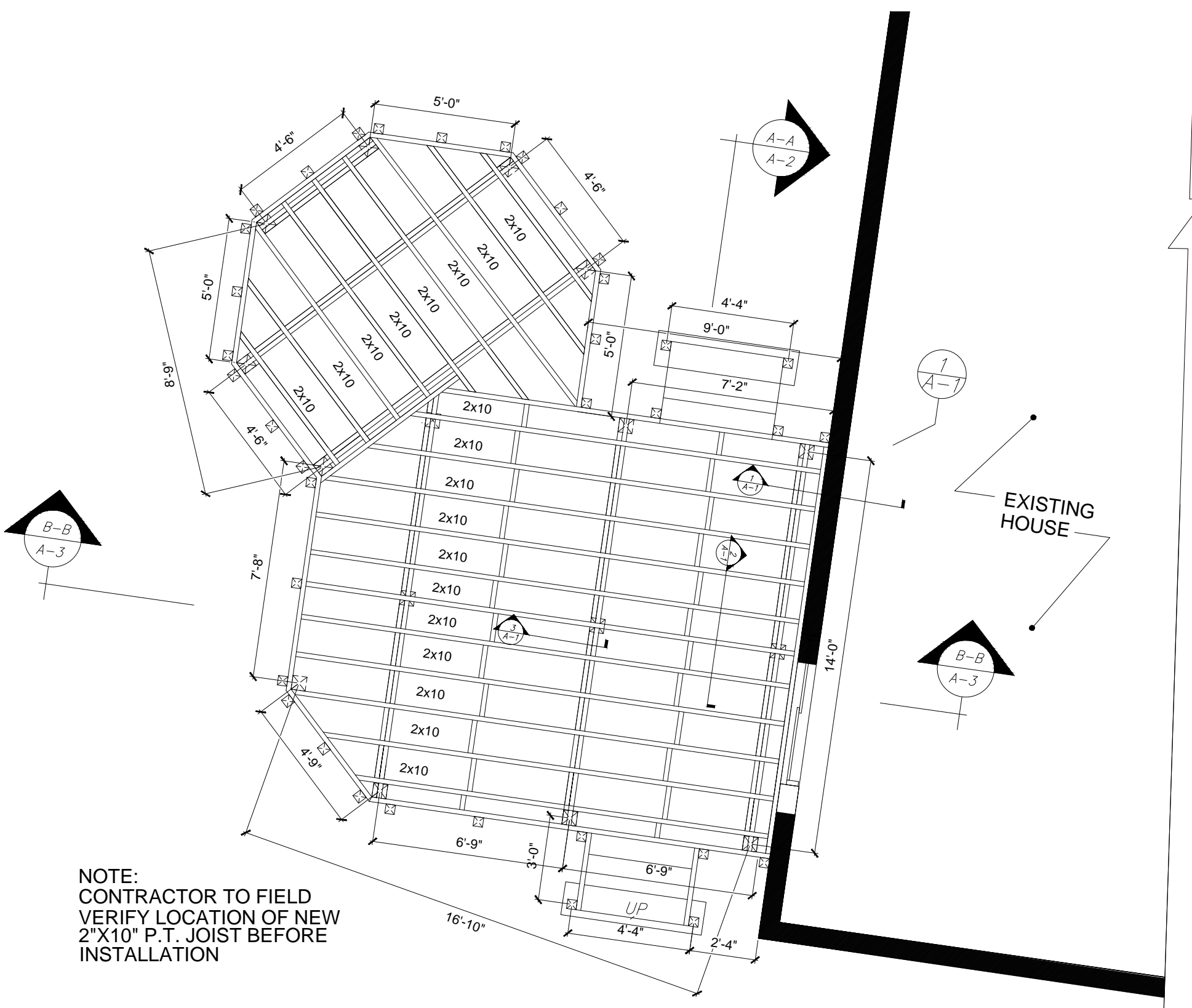
DETAIL 1
SCALE: 3/4"=1'-0"

DETAIL 2
SCALE: 3/4"=1'-0"



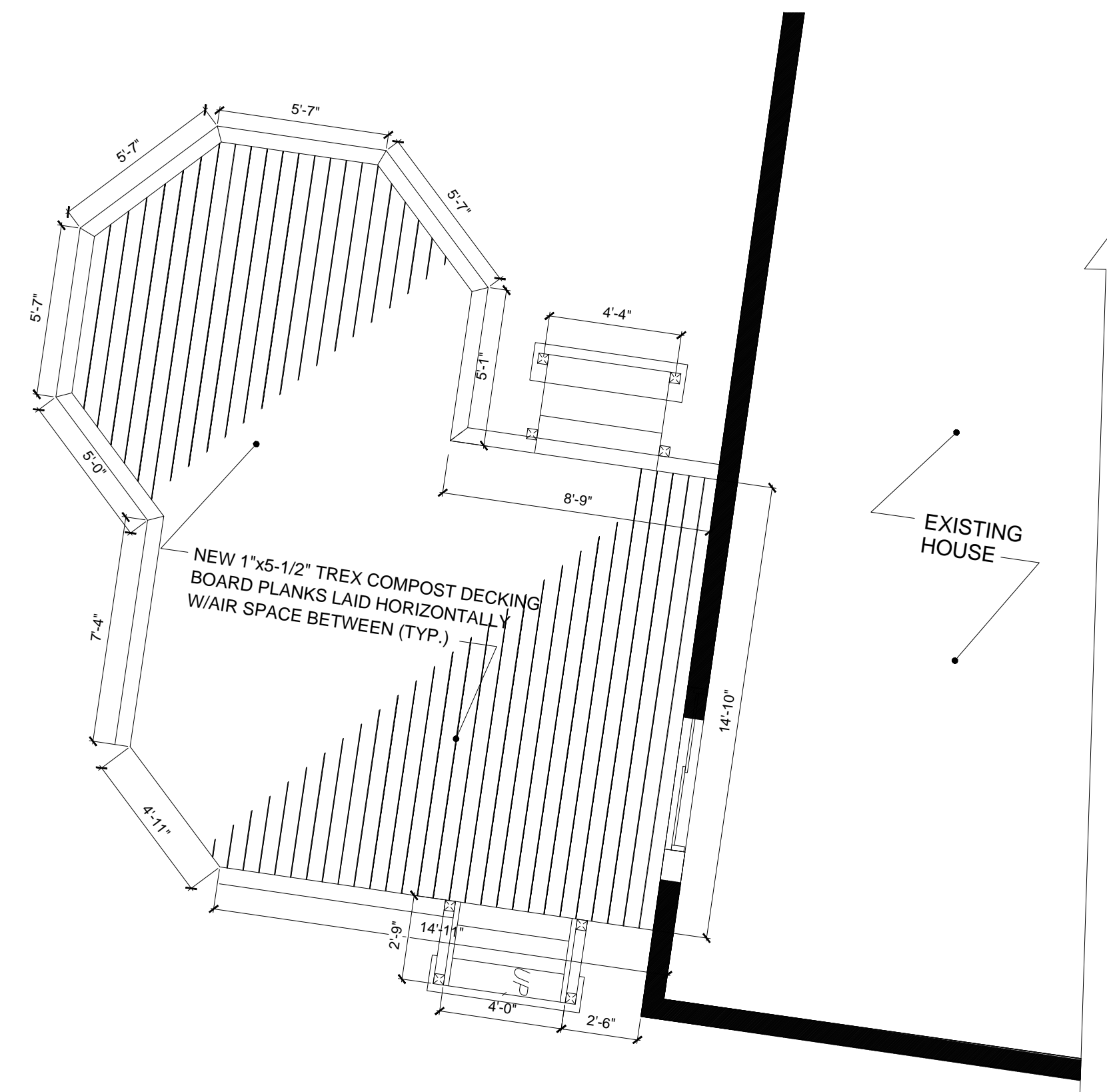
FOUNDATION PLAN

SCALE: 1/4"=1'-0"



FRAMING PLAN

SCALE: 1/4"=1'-0"



DECK FRAMING PLAN

SCALE: 1/4"=1'-0"

NOTE:
CONTRACTOR TO FIELD
VERIFY LOCATION OF NEW
10" DIA. CONCRETE PIER FOOTING.
BEFORE INSTALLATION

CONTRACTOR TO FIELD
VERIFY LOCATION OF NEW
6"X6" P.T. WOOD POST BEFORE
INSTALLATION

NOTE:
CONTRACTOR TO FIELD
VERIFY LOCATION OF NEW
2"X10" P.T. JOIST BEFORE
INSTALLATION

NEW 1"x5-1/2" TREX COMPOST DECKING
BOARD PLANKS LAID HORIZONTALLY
W/ AIR SPACE BETWEEN (TYP.)

REVISION SCHEDULE		DATE
BY	CHECK	

NORKAL CONSTRUCTION, LLC.
P.O. BOX 602
GLENN DALE, MD 20769

FOUNDATION / FRAMING / DECK PLAN
PIER AND POST SECTION DETAILS

DRAWN BY: LEROY PALMER
APPROVED BY: NORRIS VASSELL

PROJECT TITLE
PROPOSAL FOR:
MR. AND MRS. LARRY THOMAS
6205 SIESTA FIELDS PLACE
HUGHESVILLE, MD 20637

A-1

DATE : 5/1/2015