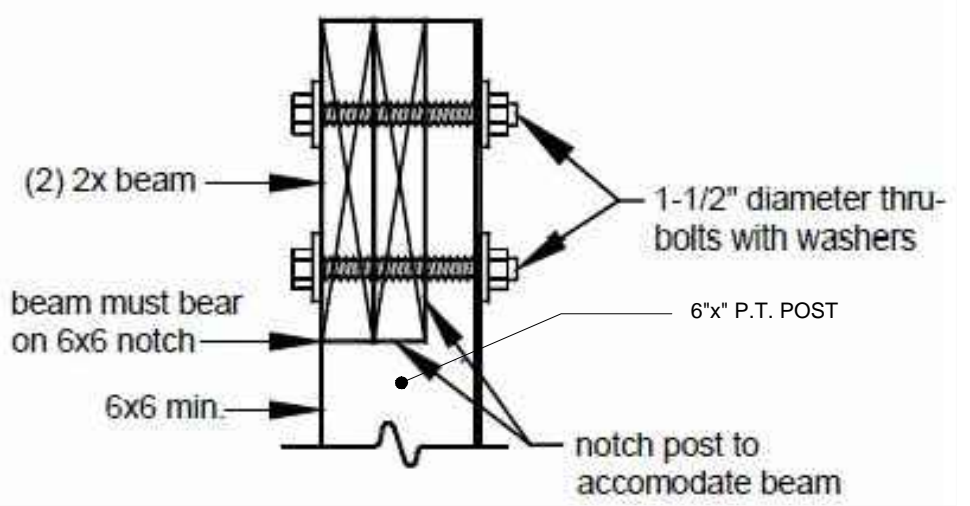
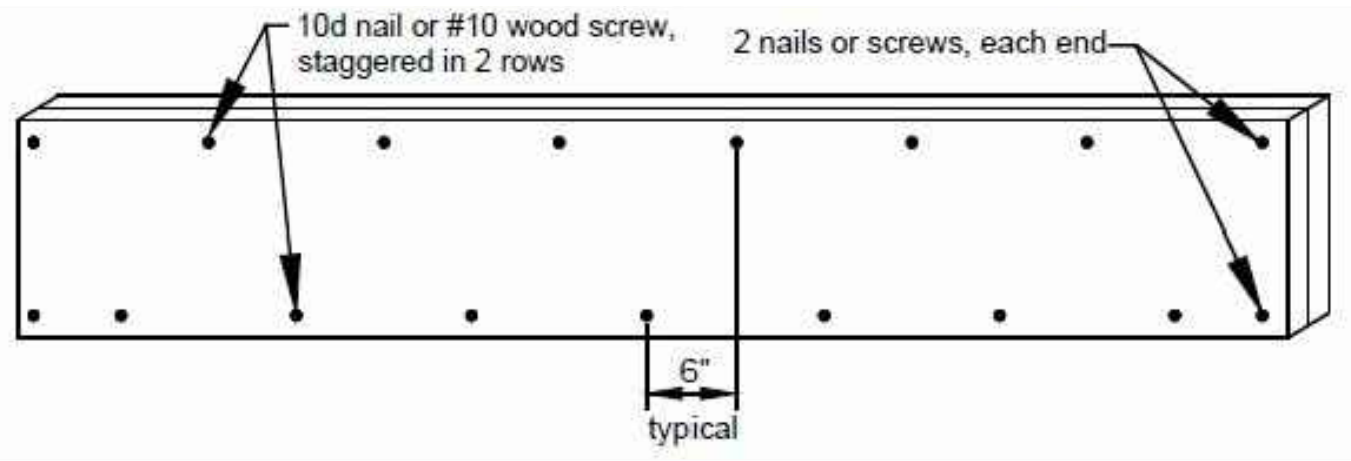


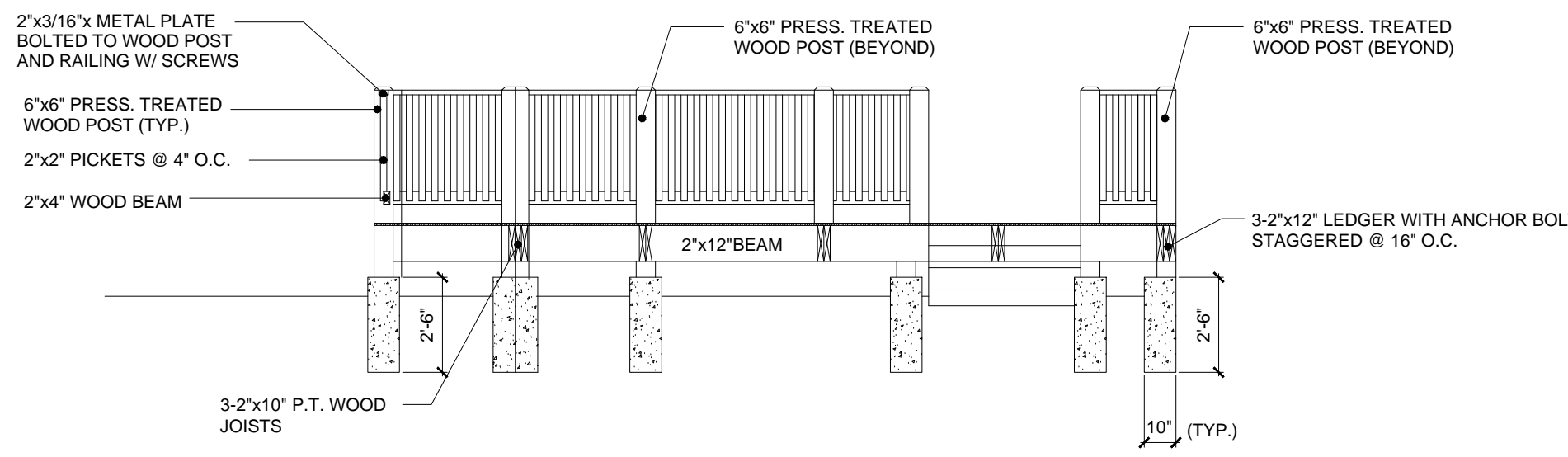
**DETAIL 6**  
SCALE:3/4"=1'-0"



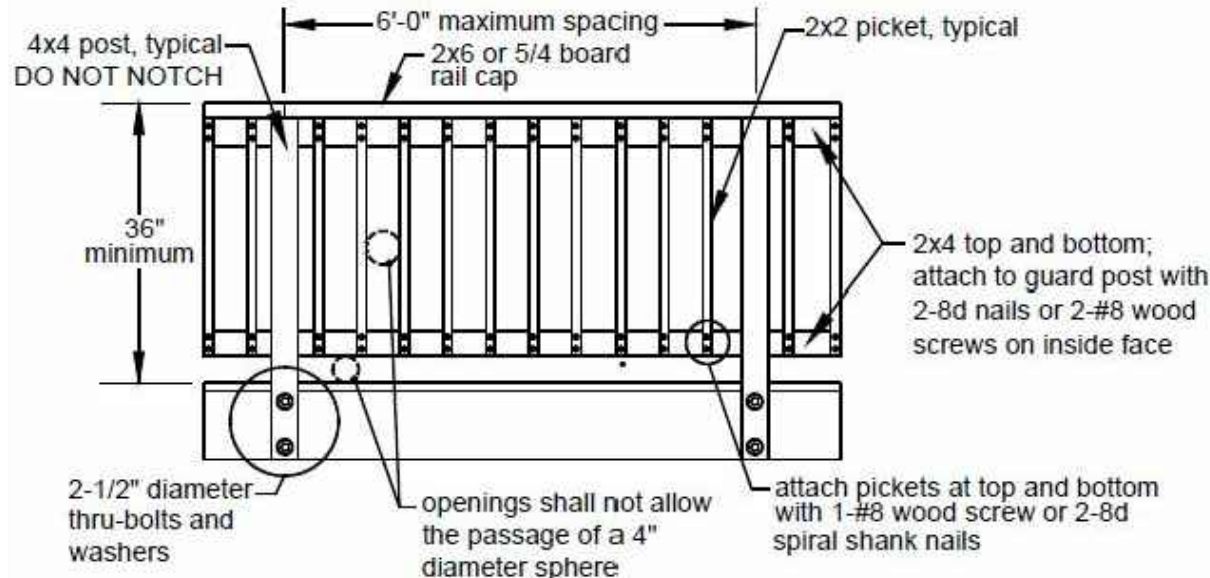
**POST TO BEAM DETAIL 3**  
SCALE:NTS



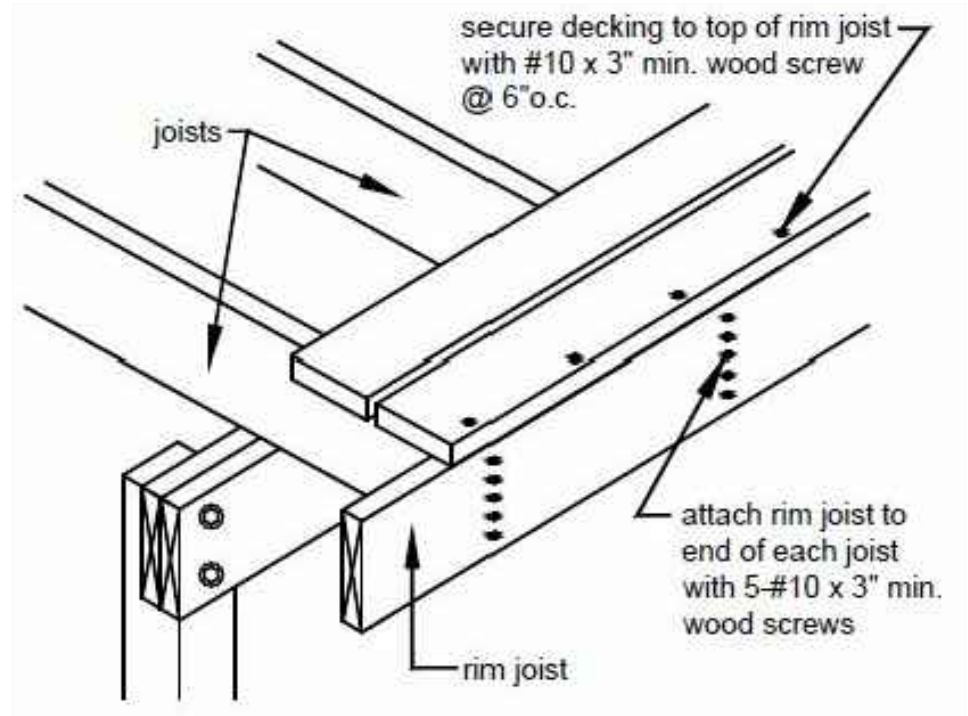
**BEAM ASSEMBLY DETAIL**  
SCALE:NTS



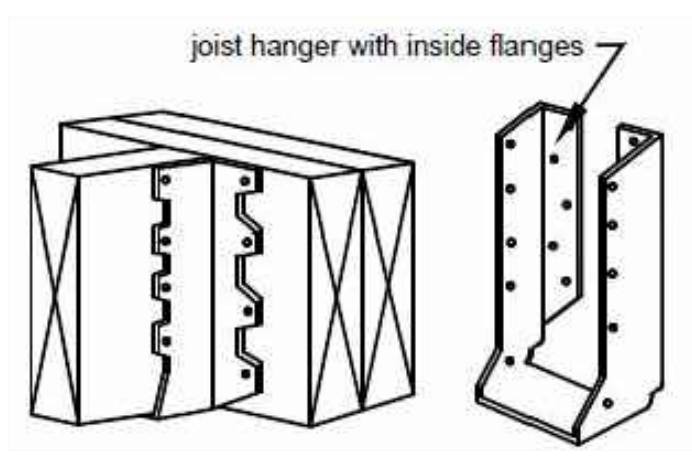
**SECTION B-B**  
SCALE:1/4"=1'-0"



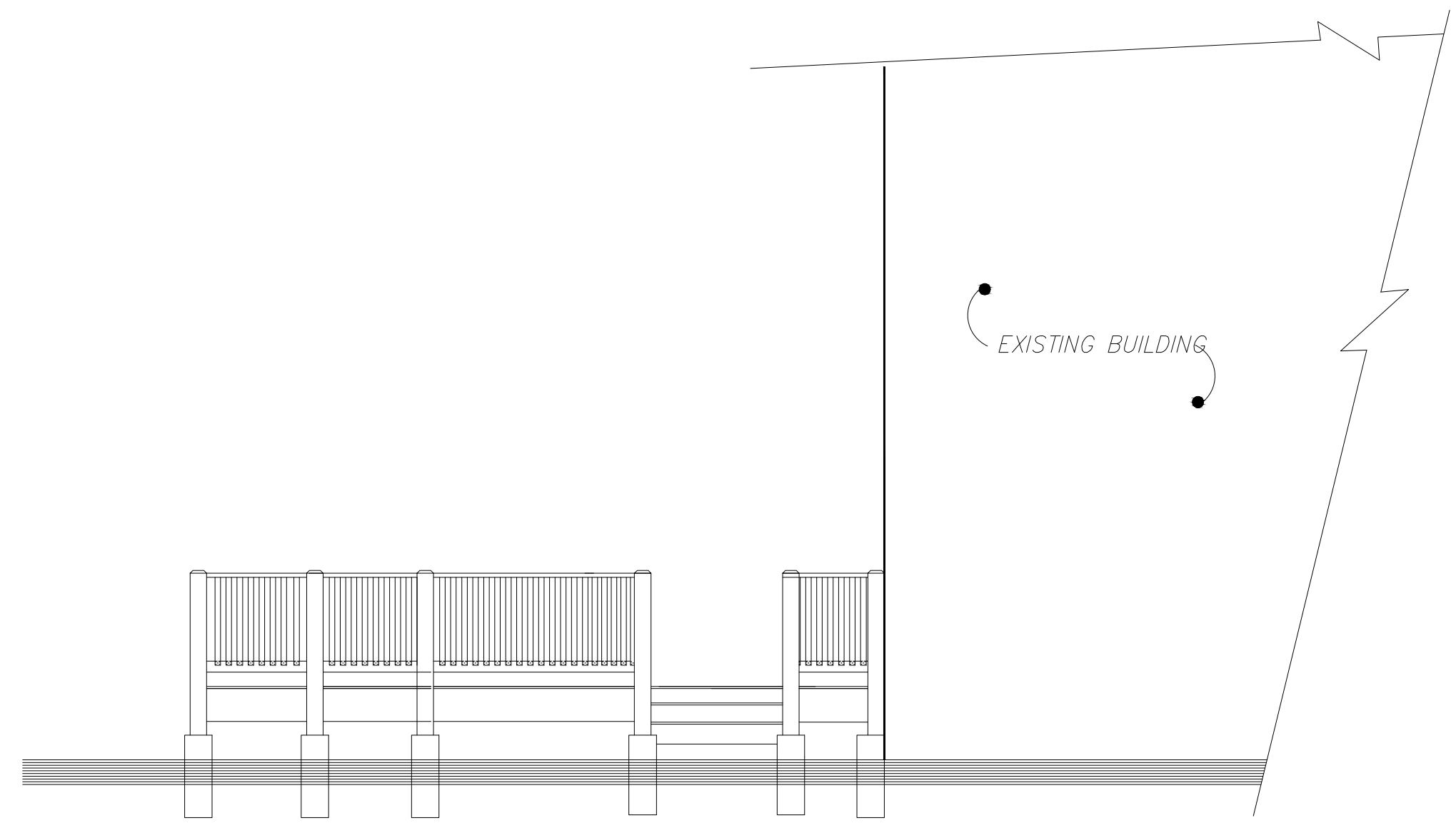
**TYPICAL GUARD DETAIL**  
SCALE:NTS



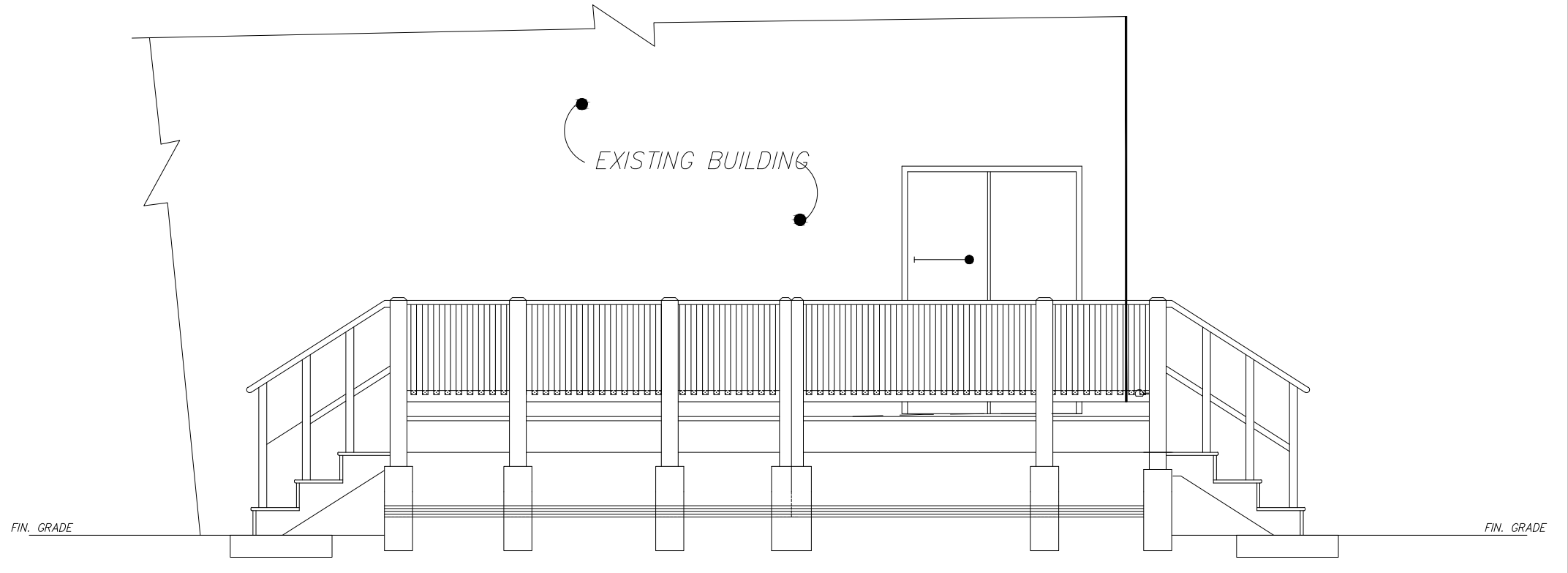
**RIM JOIST CONNECTION DETAIL 4**  
SCALE:NTS



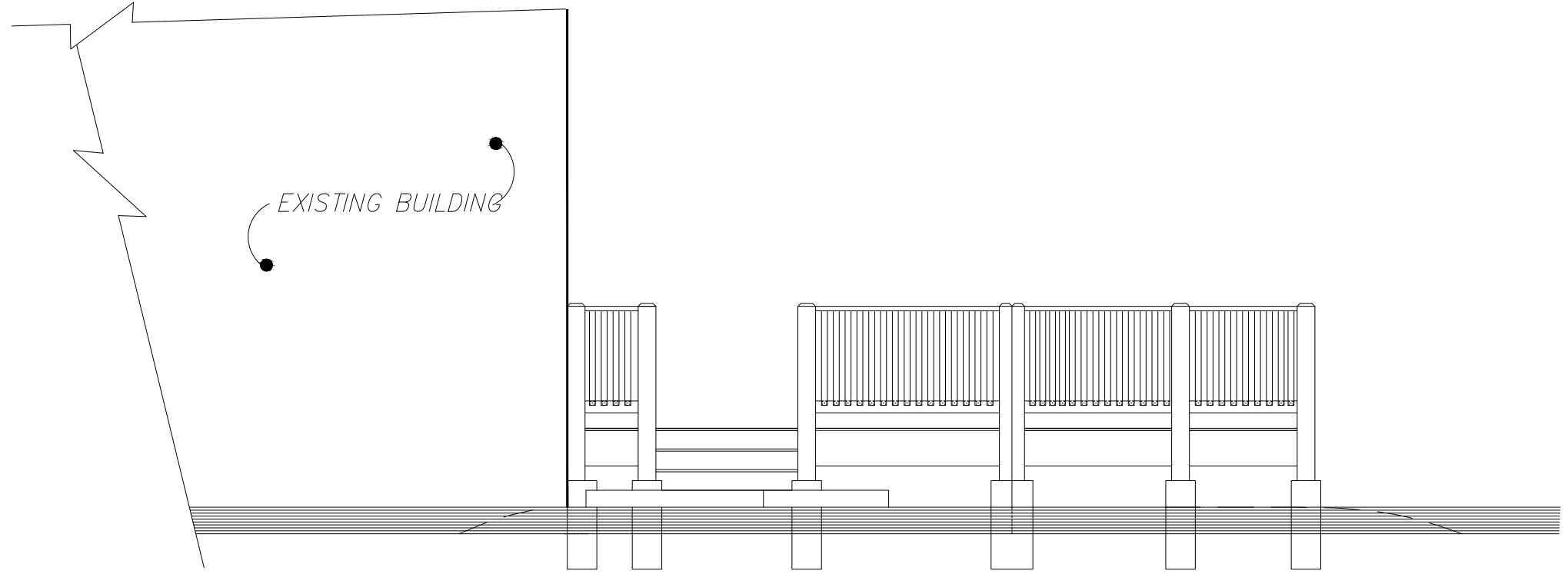
**TYPICAL JOIST HANGER**  
SCALE:NTS



**NORTH ELEVATION**  
SCALE:1/4"=1'-0"



**EAST ELEVATION**  
SCALE:1/4"=1'-0"



**SOUTH ELEVATION**  
SCALE:1/4"=1'-0"

REVISION SCHEDULE		DATE
BY	CHECK	

NORKAL CONSTRUCTION, LLC.  
P.O. BOX 602  
GLENN DALE, MD 20769

SHEET TITLE  
**ELEVATIONS / DETAILS**  
DRAWN BY: LEROY PALMER  
APPROVED BY: NORRIS VASSELL

PROJECT TITLE  
**PROPOSAL FOR:  
MR. AND MRS. LARRY THOMAS  
6205 SIESTA FIELDS PLACE  
HUGHESVILLE, MD**

**A-2**  
DATE : 5/1/2015